



FACSIMILE EQUIPMENT

PARTS REFERENCE LIST

MODEL: FAX-T102 / T104 / T106

FAX-T104S / T104B

FAX-T106S / T106B

**(For Germany / United Kingdom / France /
Belgium / Netherlands / Switzerland /
Ireland / Denmark / Austria / Spain / Italy /
Portugal / Russia /Pan-Nordic / East Europe /
Euro Generic)**

© Copyright Brother 2004

All rights reserved

No part of this publication may be reproduced in any form or by any means without permission in writing from the publisher.

Specifications are subject to change without prior notice.

NOTES FOR USING THIS PARTS REFERENCE LIST

1. In the case of ordering parts, it needs mentioning the following items:

- (1) Code
- (2) Q' ty
- (3) Description
- (4) Recommend (The \checkmark mark is attached to recommend parts at this column.)
- (5) Symbol (PCB No., Revision, and Parts location mounted on the PCB.)

Note: No orders without Parts Code or Tool No. can be accepted.

[Example]

	(1)	(2)	(3)	(4)	(5)	
REF.NO.	CODE	Q' TY	DESCRIPTION	RECOMMEND	SYMBOL	REMARKS

2. Design-changed parts:

When the parts are changed, any one of the following symbols is mentioned in the REMARKS column.

CHG (chg): The part is changed to a new part.

ADD (add): The part is newly added.

DEL (del): The part is deleted.

Symbol in capital letters indicates that the change is the latest one in the page.

3. Parts change will be informed by the technical information.

COUNTRIES

GERMAN ----- GER

UNITED KINGDOM ----- UK

FRANCE ---- FRA

BELGIUM ---- BEL

NETHERLANDS ---- NLD

SWITZERLAND ---- CHE

IRELAND ---- IRE

DENMARK ---- DEN

AUSTRIA ---- AUS

SPAIN ---- SPA

ITALY ---- ITA

PORTUGAL ---- POR

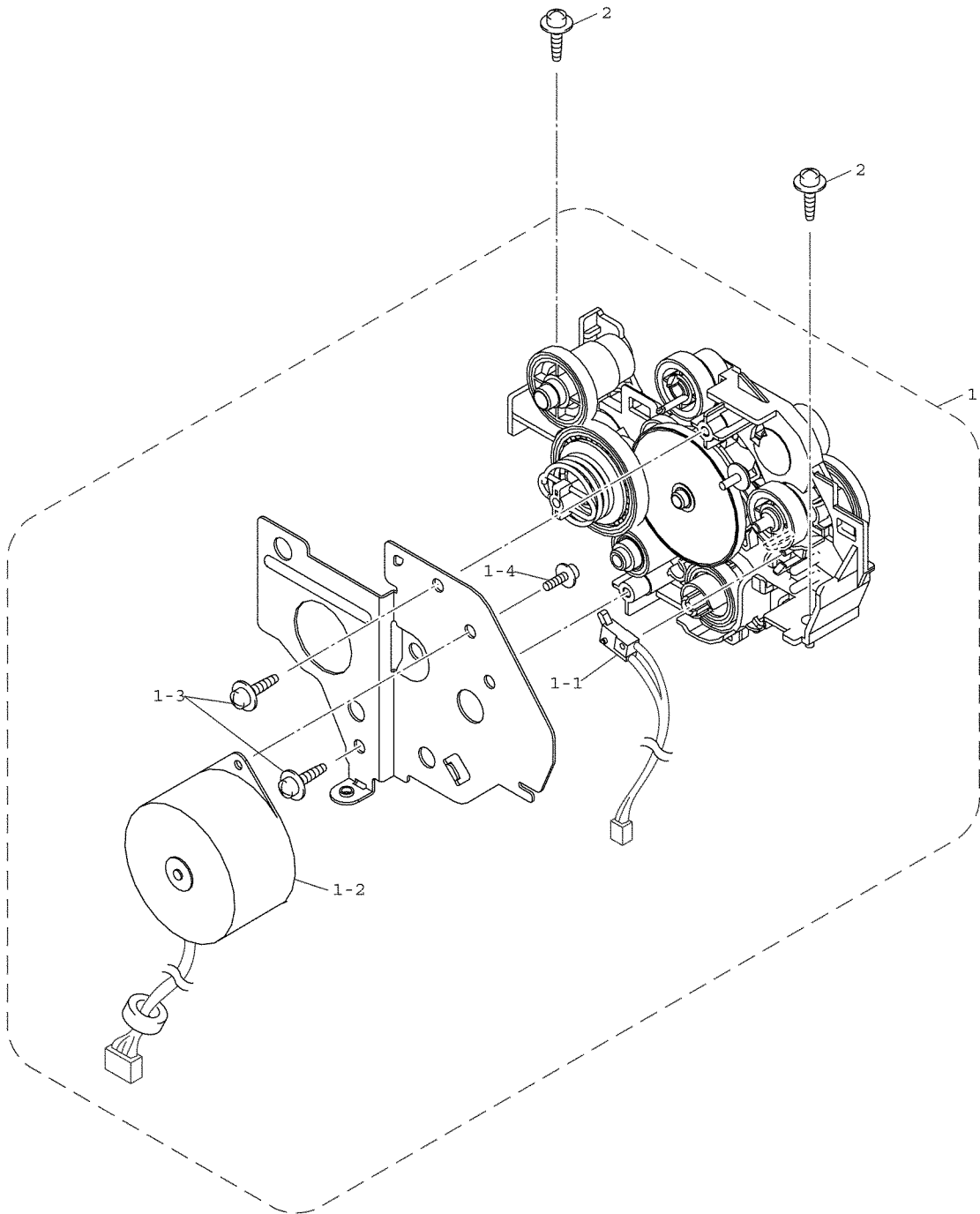
RUSSIA ---- RUS

PAN NORDIC (Norway / Finland / Sweden) ---- PND

EAST EUROPE (Czech / Hungary) ---- EEU

EURO GENERIC ---- GNR

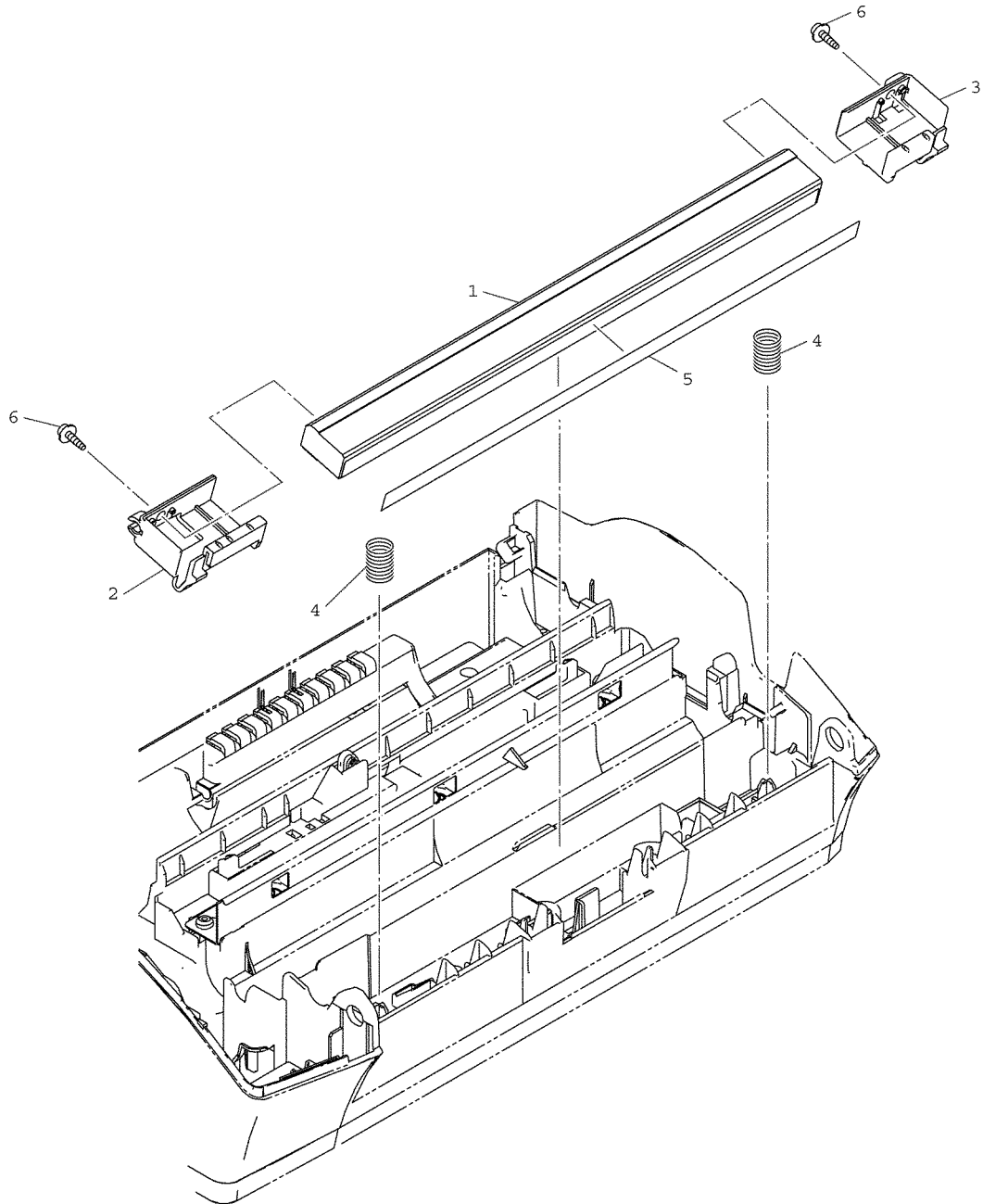
1. DRIVING



LIST1(DRIVING)

REF No.	CODE	QTY	DESCRIPTION	RECOMMEND	REMARKS
1	LF3685001	1	DRIVE UNIT		
1-1	LG5642001	1	CAM SWITCH HARNESS		
1-2	Z27001001	1	MOTOR		
1-3	087310815	2	TAPTITE, CUP B M3X8		
1-4	U24014002	1	TAPTITE, CUP S M3X6		
2	087311016	2	TAPTITE, CUP B M3X10		

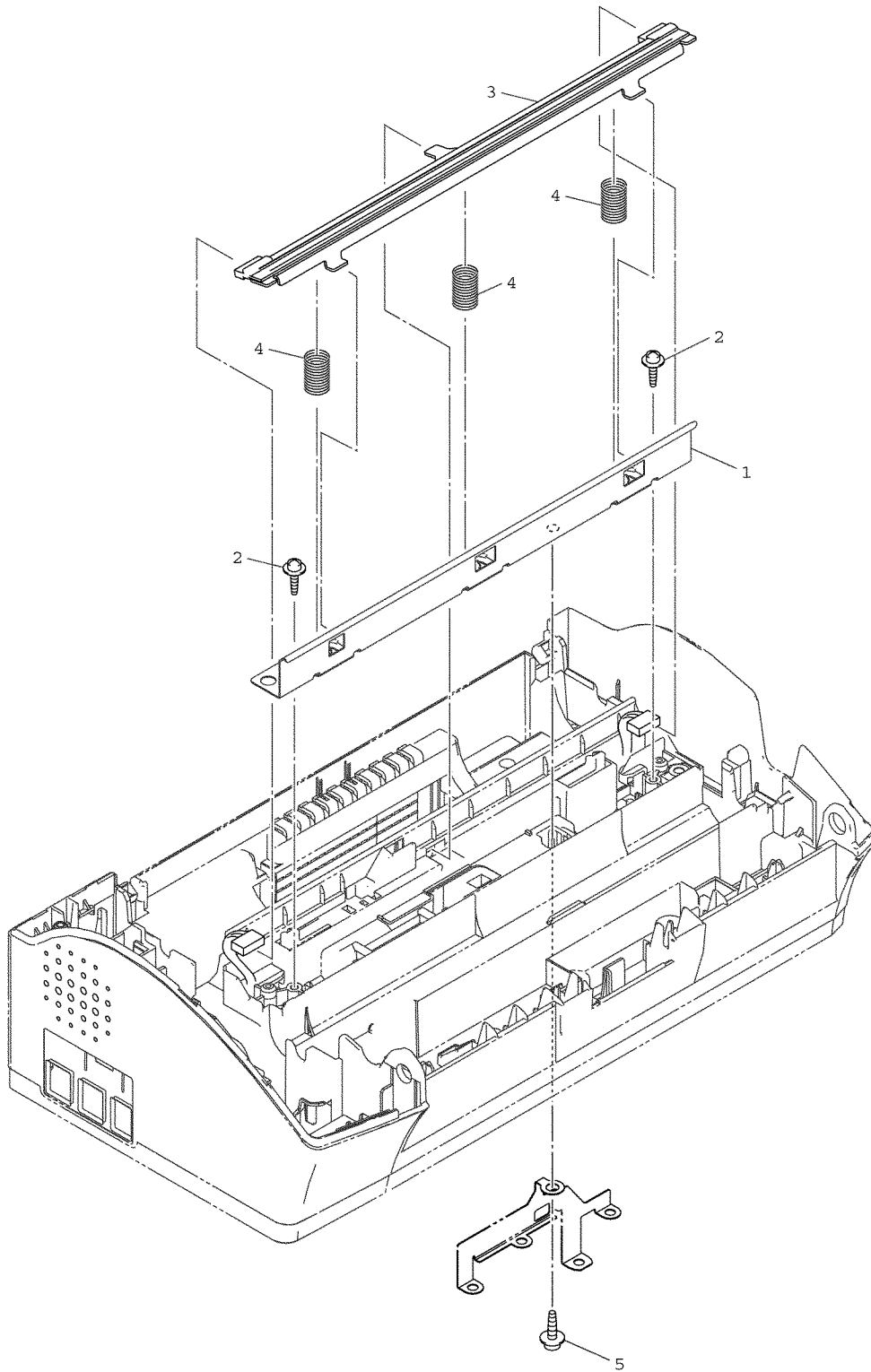
2. SCANNING



LIST2(SCANNING)

REF No.	CODE	QTY	DESCRIPTION	RECOMMEND	REMARKS
1	LG5584001	1	CIS UNIT	√	
2	LF3716001	1	CIS HOLDER L		
3	LF8594001	1	CIS HOLDER R		CHG
4	LF3718001	2	CIS SPRING		
5	LF8202001	1	SHIELDING FILM		
6	087310815	2	TAPTITE, CUP B M3X8		

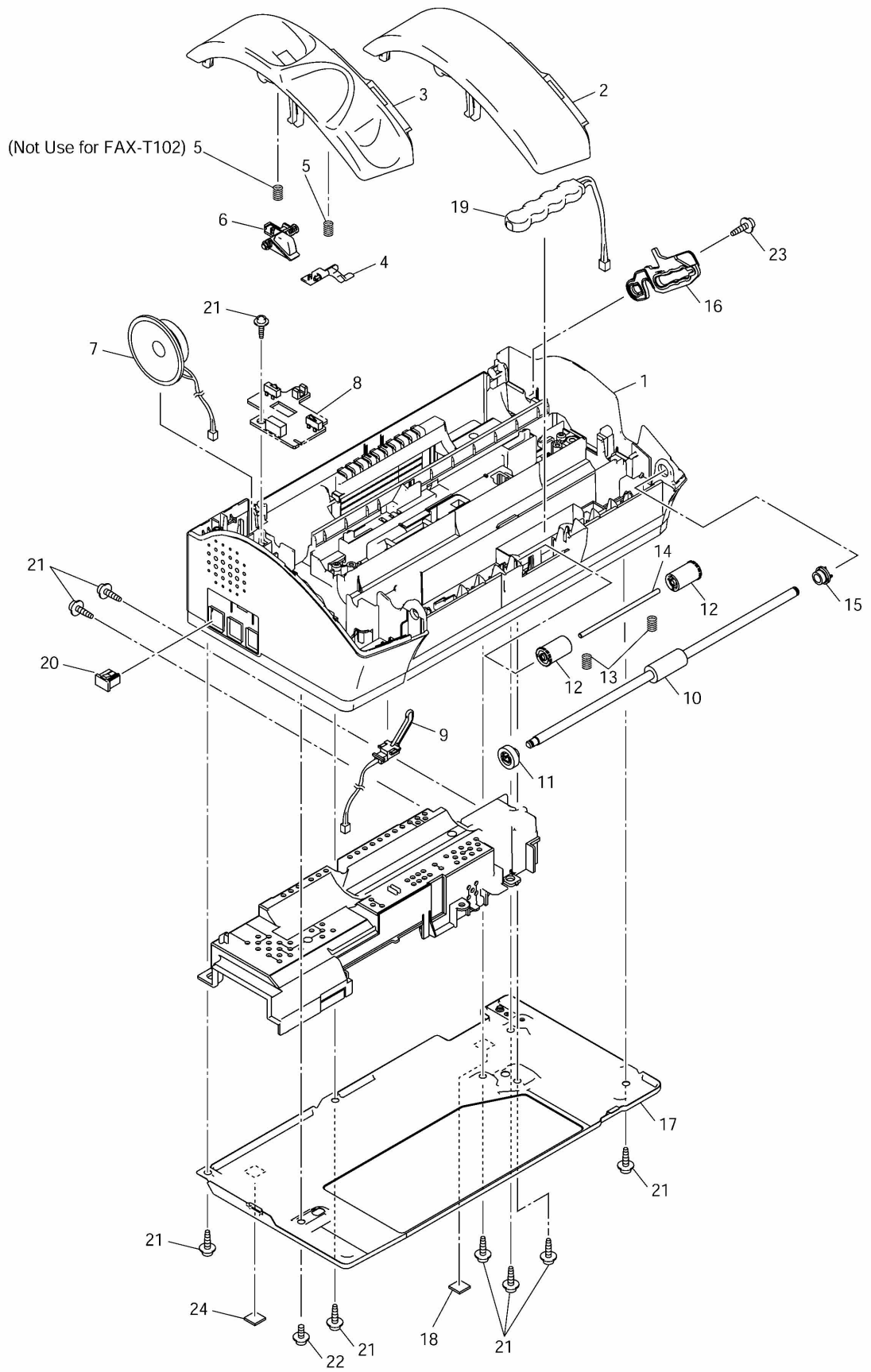
3. RECORDING



LIST3(RECORDING)

REF No.	CODE	QTY	DESCRIPTION	RECOMMEND	REMARKS
1	LF3719001	1	RECORDER FRAME		
2	087310815	2	TAPTITE, CUP B M3X8		
3	LF3720001	1	RECORDING HEAD ASSY	√	
4	UF8072001	3	HEAD SPRING		
5	U24014002	1	TAPTITE, CUP S M3X6		CHG

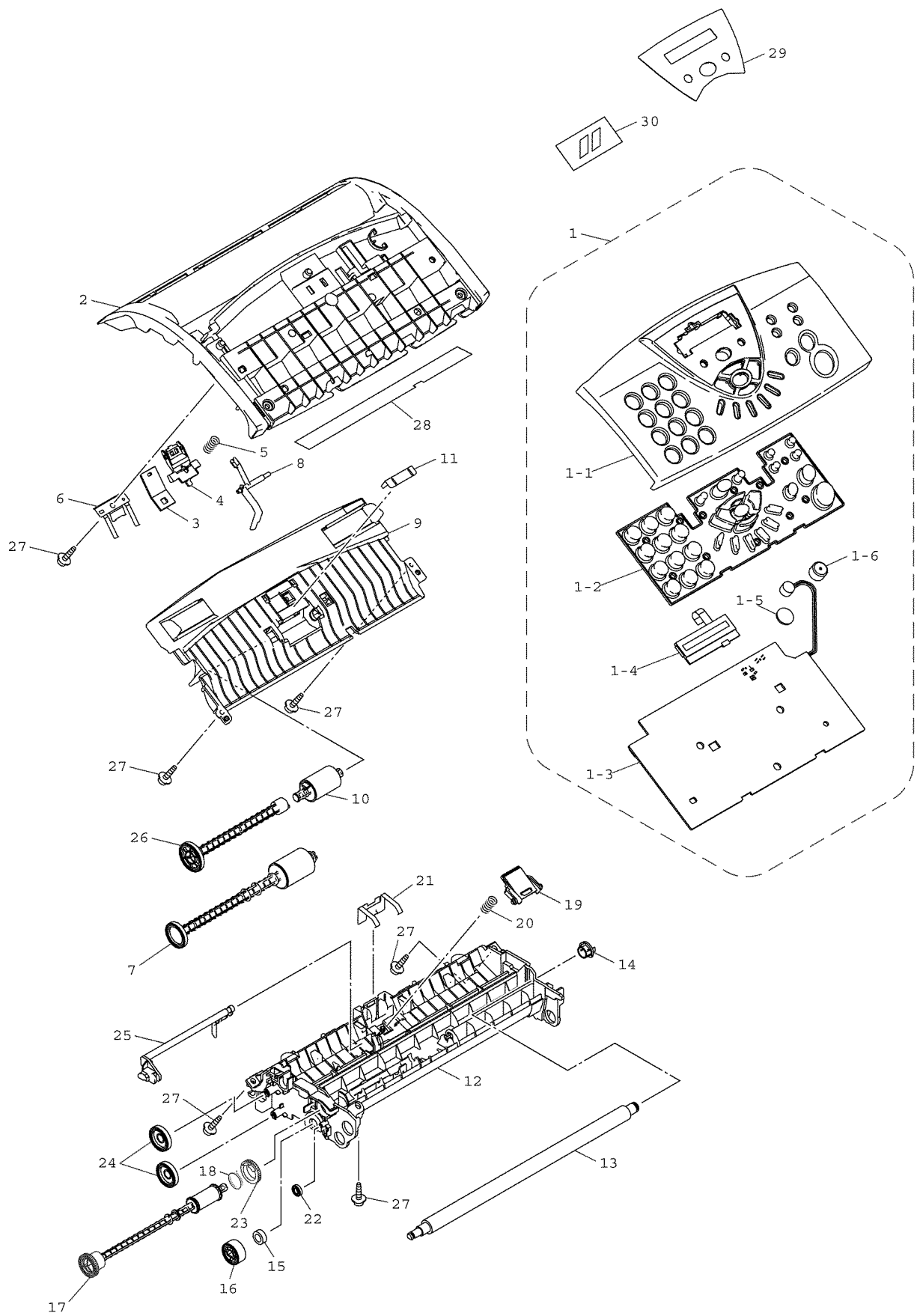
4. COVER



LIST4(COVER)

REF No.	CODE	QTY	DESCRIPTION	RECOMMEND	REMARKS
1	LF3877001	1	MAIN COVER, FAX-T102		
1	LF3724001	1	MAIN COVER, FAX-T104/T106		
2	LF3878001	1	DUMMY MOUNT, FAX-T102		
3	LF3726001	1	HANDSET MOUNT, GRAY(1686), FAX-T104/T106		
3	LF3726002	1	HANDSET MOUNT, GRAY(1735), FAX-T104S/T104B/T106S/T106B		
4	LF3727001	1	COVER OPEN SENSOR ACTUATOR		
5	LE5267001	1	ACTUATOR SPRING, FAX-T102		
5	LE5267001	2	ACTUATOR SPRING, FAX-T104/T106		
6	LF3728001	1	HOOK SWITCH ACTUATOR, FAX-T104/T106		
7	LG6010001	1	SPEAKER ASSY		
8	LG5652001	1	SENSOR PCB ASSY		
9	LG5656001	1	RIBBON SW		
10	LF3729001	1	DOCUMENT EJECTION ROLLER		
11	LF3731001	1	EJECTION ROLLER GEAR		
12	LF3732001	2	PINCH ROLLER		
13	LF3733001	2	PINCH ROLLER SPRING		
14	LF3734001	1	PINCH ROLLER SHAFT		
15	UF0026001	1	PAWL BUSHING		
16	LF3735001	1	COVER STOPPER LINK		
17	LF3736001	1	BOTTOM PLATE		
18	UF6761001	1	RUBBER		chg
19	LG5438001	1	BATTERY ASSY, FAX-T106		
20	UF5745000	1	MJ COVER, EXT FOR GER/UK/FRA/BEL/AUS/ITA		
21	087311016	9	TAPTITE, CUP B M3X10		
22	U24014003	1	TAPTITE, CUP S M3.0X6		CHG
23	LE4199001	1	TAPTITE, PAN B M4X6D10		
24	LF8490001	1	RUBBER T8		add

5. CONTROL PANEL



LIST5(CONTROL PANEL)

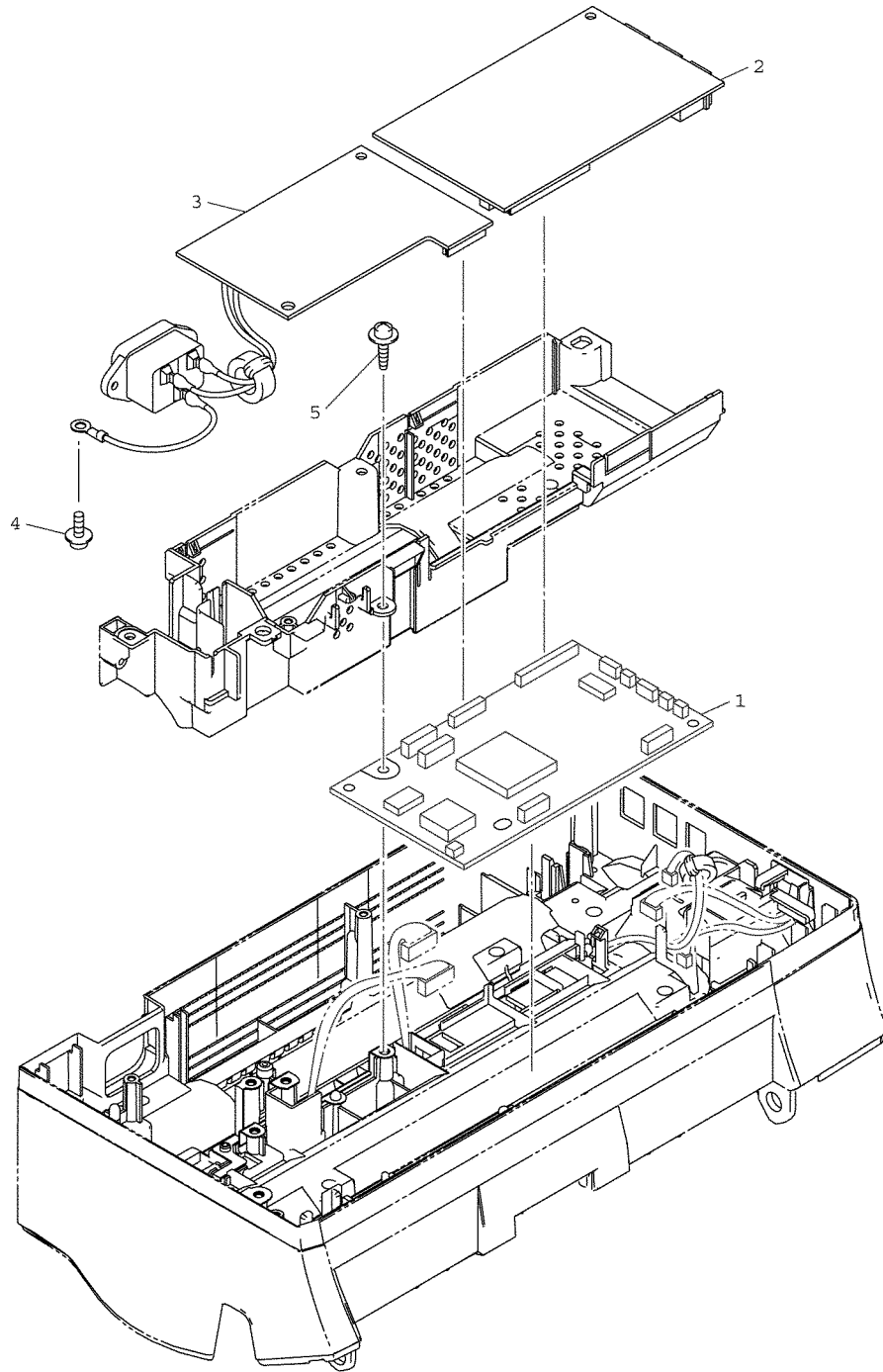
REF No.	CODE	QTY	DESCRIPTION	RECOMMEND	SYMBOL	REMARKS
1	LF3881001	1	CONTROL PANEL ASSY, FAX-T102 FOR GER/AUS	√		
1	LF3846001	1	CONTROL PANEL ASSY, FAX-T104 FOR GER/AUS	√		
1	LF3846002	1	CONTROL PANEL ASSY, METALLIC SILVER(1562), FAX-T104S	√		
1	LF3846003	1	CONTROL PANEL ASSY, GRAY(1735), FAX-T104B	√		
1	LF3862001	1	CONTROL PANEL ASSY, FAX-T106 FOR GER/AUS	√		
1	LF3862002	1	CONTROL PANEL ASSY, METALLIC SILVER(1562), FAX-T106S	√		
1	LF3862003	1	CONTROL PANEL ASSY, GRAY(1735), FAX-T106B	√		
1	LF3743001	1	CONTROL PANEL ASSY, FAX-T104 FOR UK/BEL/CHE/IRE/GNR	√		
1	LF3830001	1	CONTROL PANEL ASSY, FAX-T106 FOR UK/BEL/CHE/IRE/GNR	√		
1	LF3902001	1	CONTROL PANEL ASSY, FAX-T102 FOR FRA	√		
1	LF3854001	1	CONTROL PANEL ASSY, FAX-T104 FOR FRA	√		
1	LF3873001	1	CONTROL PANEL ASSY, FAX-T106 FOR FRA	√		
1	LF3951001	1	CONTROL PANEL ASSY, FAX-T104 FOR NLD	√		
1	LF3991001	1	CONTROL PANEL ASSY, FAX-T106 FOR NLD	√		
1	LF3907001	1	CONTROL PANEL ASSY, FAX-T102 FOR CHE	√		
1	LF8035001	1	CONTROL PANEL ASSY, FAX-T104 FOR DEN/PND	√		
1	LF8058001	1	CONTROL PANEL ASSY, FAX-T106 FOR DEN/PND	√		
1	LF3963001	1	CONTROL PANEL ASSY, FAX-T104 FOR SPA	√		
1	LF8001001	1	CONTROL PANEL ASSY, FAX-T106 FOR SPA	√		
1	LF3970001	1	CONTROL PANEL ASSY, FAX-T104 FOR ITA	√		
1	LF8007001	1	CONTROL PANEL ASSY, FAX-T106 FOR ITA	√		
1	LF3977001	1	CONTROL PANEL ASSY, FAX-T104 FOR POR	√		
1	LF8013001	1	CONTROL PANEL ASSY, FAX-T106 FOR POR	√		
1	LF8041001	1	CONTROL PANEL ASSY, FAX-T104 FOR EEU	√		
1	LF8062001	1	CONTROL PANEL ASSY, FAX-T106 FOR EEU	√		
1	LF8438001	1	CONTROL PANEL ASSY, FAX-T104 FOR RUS	√		ADD
1	LF8446001	1	CONTROL PANEL ASSY, FAX-T106 FOR RUS	√		ADD
1-1	LF3882001	1	PRINTED PANEL COVER, FAX-T102 FOR GER/AUS			
1-1	LF3847001	1	PRINTED PANEL COVER, FAX-T104 FOR GER/AUS			
1-1	LF3847002	1	PRINTED PANEL COVER, METALLIC SILVER(1562), FAX-T104S			
1-1	LF3847003	1	PRINTED PANEL COVER, GRAY(1735), FAX-T104B			
1-1	LF3863001	1	PRINTED PANEL COVER, FAX-T106 FOR GER/AUS			
1-1	LF3863002	1	PRINTED PANEL COVER, METALLIC SILVER(1562), FAX-T106S			
1-1	LF3863003	1	PRINTED PANEL COVER, GRAY(1735), FAX-T106B			
1-1	LF3744001	1	PRINTED PANEL COVER, FAX-T104 FOR UK/BEL/CHE/IRE/GNR			
1-1	LF3831001	1	PRINTED PANEL COVER, FAX-T106 FOR UK/BEL/CHE/IRE/GNR			
1-1	LF3903001	1	PRINTED PANEL COVER, FAX-T102 FOR FRA			
1-1	LF3855001	1	PRINTED PANEL COVER, FAX-T104 FOR FRA			
1-1	LF3874001	1	PRINTED PANEL COVER, FAX-T106 FOR FRA			
1-1	LF3952001	1	PRINTED PANEL COVER, FAX-T104 FOR NLD			
1-1	LF3992001	1	PRINTED PANEL COVER, FAX-T106 FOR NLD			
1-1	LF3908001	1	PRINTED PANEL COVER, FAX-T102 FOR CHE			
1-1	LF8036001	1	PRINTED PANEL COVER, FAX-T104 FOR DEN/PND			
1-1	LF8059001	1	PRINTED PANEL COVER, FAX-T106 FOR DEN/PND			
1-1	LF3964001	1	PRINTED PANEL COVER, FAX-T104 FOR SPA			
1-1	LF8002001	1	PRINTED PANEL COVER, FAX-T106 FOR SPA			
1-1	LF3971001	1	PRINTED PANEL COVER, FAX-T104 FOR ITA			
1-1	LF8008001	1	PRINTED PANEL COVER, FAX-T106 FOR ITA			
1-1	LF3978001	1	PRINTED PANEL COVER, FAX-T104 FOR POR			
1-1	LF8014001	1	PRINTED PANEL COVER, FAX-T106 FOR POR			
1-1	LF8042001	1	PRINTED PANEL COVER, FAX-T104 FOR EEU			
1-1	LF8063001	1	PRINTED PANEL COVER, FAX-T106 FOR EEU			
1-1	LF8439001	1	PRINTED PANEL COVER, FAX-T104 FOR RUS			ADD
1-1	LF8447001	1	PRINTED PANEL COVER, FAX-T106 FOR RUS			ADD
1-2	LF3740001	1	RUBBER KEYPAD, FAX-T102/T104 FOR GER/AUS, FAX-T104S			
1-2	LF3740003	1	RUBBER KEYPAD, FAX-T104B			
1-2	LF3864001	1	RUBBER KEYPAD, FAX-T106 FOR GER/AUS, FAX-T106S			
1-2	LF3864003	1	RUBBER KEYPAD, FAX-T106B			
1-2	LF3746001	1	RUBBER KEYPAD, FAX-T102/T104 FOR			
1-2	LF3832001	1	UK/FRA/BEL/NLD/CHE/IRE/DEN/SPA/ITA/POR/EEU/RUS/PND/GNR RUBBER KEYPAD, FAX-T106 FOR			
1-3	LG5659001	1	CONTROL PANEL PCB ASSY, FAX-T102/T104/T104S/T104B		B53K765	
1-3	LG5659002	1	CONTROL PANEL PCB ASSY, FAX-T106/T106S/T106B		B53K765	
1-4	LG5341001	1	LCD			
1-5	UF9993001	1	MIC RUBBER, FAX-T106/T106S/T106B			
1-6	UF6916001	1	MIC COVER, FAX-T106/T106S/T106B			

FAX-T102/FAX-T104/FAX-T104S/FAX-T104B
FAX-T106/FAX-T106S/FAX-T106B

LIST5(CONTROL PANEL)

REF No.	CODE	QTY	DESCRIPTION	RECOMMEND	SYMBOL	REMARKS
2	LF3749001	1	TOP COVER			
3	LF3751001	1	SEPARATION RUBBER			
4	LF3753001	1	ADF HOLDER			
5	LF3754001	1	ADF SPRING			
6	LF3755001	1	ADF LEAF SPRING			
7	LF3756001	1	PAPER FEED ROLLER ASSY			
8	LF3759001	1	DOCUMENT REAR SENSOR ACTUATOR			
9	LF3761001	1	DOCUMENT CHUTE ASSY			
10	LF3766001	1	DOCUMENT SEPARATION ROLLER ASSY			
11	LF3824001	1	DOCUMENT SUPPORT			
12	LF8531001	1	PAPER CHUTE ASSY			chg
13	LF3773001	1	PLATEN			
14	LF8467001	1	PAWL BUSHING R			chg
15	LF8243001	1	BUSHING L			
16	LF3776001	1	PLATEN GEAR			
17	LF3777001	1	PAPER EJECTION ROLLER			
18	LF3960001	1	CLUTCH SPRING			
19	LF8257001	1	ACF HOLDER ASSY			
20	LF3781001	1	ACF SPRING			
21	LF3784001	1	SHEET FEEDER LEAF SPRING			
22	LF3958001	1	GEAR, 10			
23	LF3959001	1	GEAR, 22			
24	LF3785001	2	GEAR, 24			
25	LF3790001	1	REGISTRATION SENSOR ACTUATOR			
26	LF3765001	1	SEPARATION ROLLER GEAR 29			
27	087310815	6	TAPTITE CUP B M3X8			
28	LF3760001	1	WHITE TAPE			
29	LF3883001	1	LCD SHEET, FAX-T102	√		
29	LF3791001	1	LCD SHEET, FAX-T104	√		
29	LF8306001	1	LCD SHEET, FAX-T104S	√		
29	LF8308001	1	LCD SHEET, FAX-T104B	√		
29	LF3865001	1	LCD SHEET, FAX-T106 FOR GER/AUS	√		
29	LF8307001	1	LCD SHEET, FAX-T106S	√		
29	LF8309001	1	LCD SHEET, FAX-T106B	√		
29	LF3834001	1	LCD SHEET, FAX-T106 FOR UK/BEL/CHE/IRE/DEN/PND/GNR	√		
29	LF3875001	1	LCD SHEET, FAX-T106 FOR FRA	√		
29	LF3993001	1	LCD SHEET, FAX-T106 FOR NLD	√		
29	LF8003001	1	LCD SHEET, FAX-T106 FOR SPA	√		
29	LF8009001	1	LCD SHEET, FAX-T106 FOR ITA	√		
29	LF8015001	1	LCD SHEET, FAX-T106 FOR POR	√		
29	LF8064001	1	LCD SHEET, FAX-T106 FOR EEU	√		
29	LF8444001	1	LCD SHEET, FAX-T106 FOR RUS	√		
30	LF3813001	1	ADDRESS LABEL			ADD

6. PCB

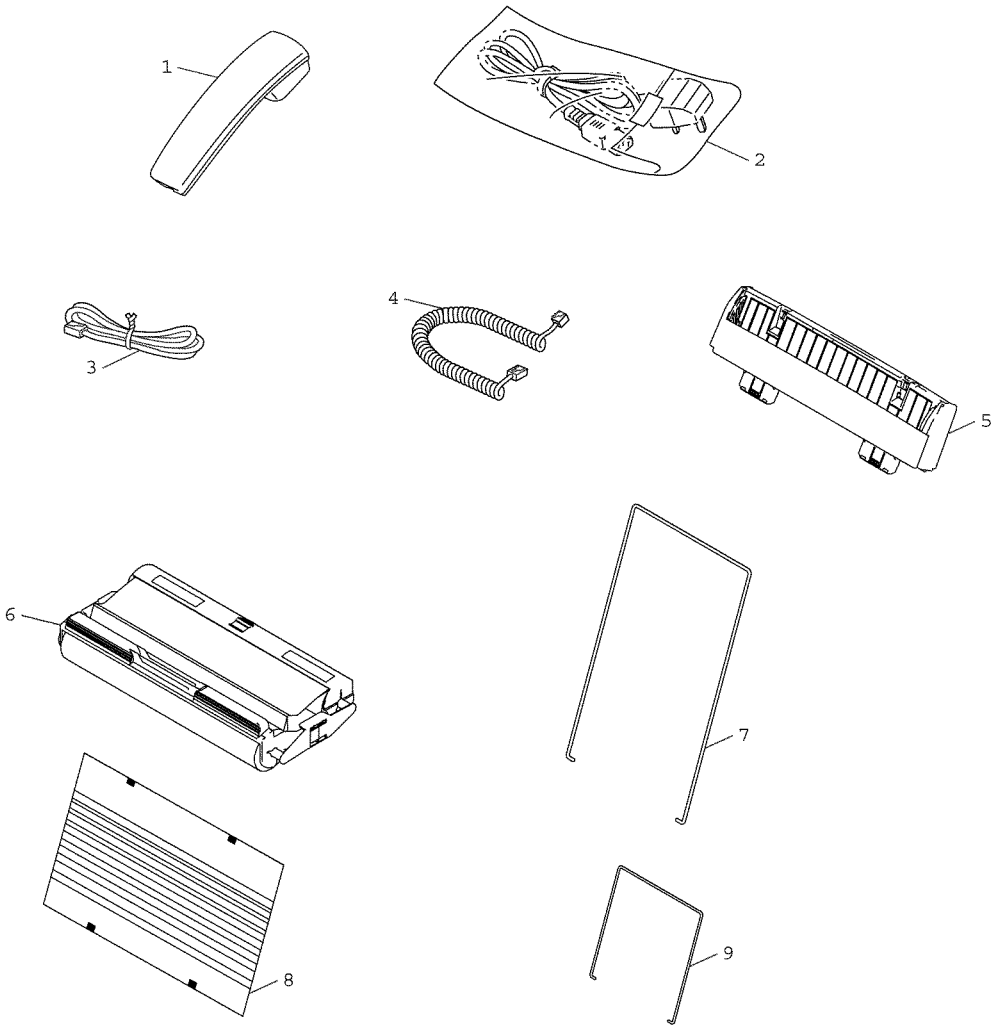


LIST6(PCB)

REF No.	CODE	QTY	DESCRIPTION	RECOMMEND	SYMBOL	REMARKS
1	LG5665001	1	MAIN PCB ASSY, FAX-T102 FOR GER/FRA/CHE/AUS, FAX-T104 FOR GER/UK/FRA/NLD/IRE/AUS/SPA/ITA/POR/RUS/GNR, FAX-T104S/T104B	√	B53K761	chg
4	LG5665022	4	MAIN PCB ASSY, FAX-T104 FOR GER/AUS, FAX-T104S/T104B	√	B53K761	del
1	LG5704001	1	MAIN PCB ASSY, FAX-T106 FOR GER/UK/FRA/NLD/IRE/AUS/SPA/ITA/POR/RUS/GNR, FAX-T106S/T106B	√	B53K762	chg
4	LG5665024	4	MAIN PCB ASSY, FAX-T104 FOR UK/GNR	√	B53K764	del
4	LG5704035	4	MAIN PCB ASSY, FAX-T106 FOR UK/GNR	√	B53K762	del
4	LG5665073	4	MAIN PCB ASSY, FAX-T102 FOR FRA	√	B53K764	del
4	LG5665023	4	MAIN PCB ASSY, FAX-T104 FOR FRA	√	B53K764	del
4	LG5704037	4	MAIN PCB ASSY, FAX-T106 FOR FRA	√	B53K762	del
1	LG5665002	1	MAIN PCB ASSY, FAX-T102 FOR BEL/CHE/DEN/PND/EEU	√	B53K761	chg
1	LG5704002	1	MAIN PCB ASSY, FAX-T106 FOR BEL/CHE/DEN/PND/EEU	√	B53K762	chg
4	LG5665025	4	MAIN PCB ASSY, FAX-T104 FOR NLD	√	B53K764	del
4	LG5704039	4	MAIN PCB ASSY, FAX-T106 FOR NLD	√	B53K762	del
4	LG5665074	4	MAIN PCB ASSY, FAX-T102 FOR CHE	√	B53K764	del
4	LG5665026	4	MAIN PCB ASSY, FAX-T104 FOR IRE/ITA	√	B53K764	del
4	LG5704040	4	MAIN PCB ASSY, FAX-T106 FOR IRE	√	B53K762	del
4	LG5665028	4	MAIN PCB ASSY, FAX-T104 FOR DEN/PND	√	B53K764	del
4	LG5704044	4	MAIN PCB ASSY, FAX-T106 FOR DEN/PND	√	B53K762	del
4	LG5665027	4	MAIN PCB ASSY, FAX-T104 FOR SPA/POR	√	B53K764	del
4	LG5704044	4	MAIN PCB ASSY, FAX-T106 FOR SPA	√	B53K762	del
4	LG5704042	4	MAIN PCB ASSY, FAX-T106 FOR ITA	√	B53K762	del
4	LG5704043	4	MAIN PCB ASSY, FAX-T106 FOR POR	√	B53K762	del
4	LG5665029	4	MAIN PCB ASSY, FAX-T104 FOR EEU	√	B53K764	del
4	LG5704045	4	MAIN PCB ASSY, FAX-T106 FOR EEU	√	B53K762	del
2	LG5679003	1	NCU PCB ASSY, FOR GER/AUS	√	B53K767	
2	LG5679004	1	NCU PCB ASSY, FOR UK/FRA/BEL/IRE/SPA/ITA/POR/RUS/EEU/GNR	√	B53K767	
2	LG5679009	1	NCU PCB ASSY, FOR NLD/DEN/PND	√	B53K767	
2	LG5679010	1	NCU PCB ASSY, FOR CHE	√	B53K767	
3	LG5684001	1	POWER SUPPLY PCB ASSY	√		
4	LF1884001	1	SCREW, PAN (WASHER) M4X7DB			
5	087310815	1	TAPTITE, CUP B M3X8			
(6)	LG0678003	1	OTPROM, FAX-T102 FOR GER/AUS			add
(6)	LG0681005	1	OTPROM, FAX-T102 FOR FRA			add
(6)	LG0682010	1	OTPROM, FAX-T102 FOR CHE			add
(6)	LG0377003	1	OTPROM, FAX-T104 FOR GER/AUS, FAX-T104S/T104B			add
(6)	LG0314004	1	OTPROM, FAX-T104 FOR UK/GNR			add
(6)	LG0391005	1	OTPROM, FAX-T104 FOR FRA			add
(6)	LG0687009	1	OTPROM, FAX-T104 FOR NLD			add
(6)	LG0688011	1	OTPROM, FAX-T104 FOR IRE/ITA			add
(6)	LG0689015	1	OTPROM, FAX-T104 FOR SPA/POR			add
(6)	LG0686008	1	OTPROM, FAX-T104 FOR BEL/CHE			add
(6)	LG0696057	1	OTPROM, FAX-T104 FOR DEN/PND			add
(6)	LG0697087	1	OTPROM, FAX-T104 FOR EEU			add
(6)	LG0679003	1	OTPROM, FAX-T106 FOR GER/AUS, FAX-T106S/T106B			add
(6)	LG0319004	1	OTPROM, FAX-T106 FOR UK			add
(6)	LG0680005	1	OTPROM, FAX-T106 FOR FRA			add
(6)	LG0691009	1	OTPROM, FAX-T106 FOR NLD			add
(6)	LG0692011	1	OTPROM, FAX-T106 FOR IRE			add
(6)	LG0693015	1	OTPROM, FAX-T106 FOR SPA			add
(6)	LG0694016	1	OTPROM, FAX-T106 FOR ITA			add
(6)	LG0695018	1	OTPROM, FAX-T106 FOR POR			add
(6)	LG0690008	1	OTPROM, FAX-T106 FOR BEL/CHE			add
(6)	LG0748048	1	OTPROM, FAX-T104 FOR RUS			ADD
(6)	LG0750048	1	OTPROM, FAX-T106 FOR RUS			ADD
(6)	LG0698057	1	OTPROM, FAX-T106 FOR DEN/PND			add
(6)	LG0699087	1	OTPROM, FAX-T106 FOR EEU			add

FAX-T102/FAX-T104/FAX-T104S/FAX-T104B
FAX-T106/FAX-T106S/FAX-T106B

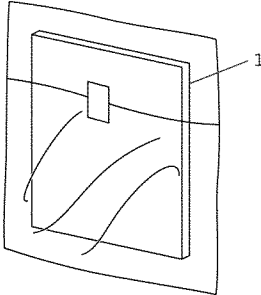
7. ACCESSORIES



LIST7(Accessories)

REF No.	CODE	QTY	DESCRIPTION	RECOMMEND	REMARKS
1	LF3800001	1	HANDSET ASSY, GRAY(1581), FAX-T104/T106		
1	LF8304001	1	HANDSET ASSY, METALLIC SILVER(1562), FAX-T104S/T106S		
1	LF3800003	1	HANDSET ASSY, GRAY(1735), FAX-T104B/T106B		
2	LG5717001	1	AC CORD BAG ASSY, VDE FOR GER/FRA/BEL/NLD/AUS/SPA/ITA/POR/RUS/EEU/PND/GNR		
2	LG5692001	1	AC CORD BAG ASSY, UK FOR UK/IRE		
2	LG5732001	1	AC CORD BAG ASSY, SEV FOR CHE		
2	LG5736001	1	AC CORD BAG ASSY, DEMKO FOR DEN		
3	UG3625001	1	TELEPHONE LINE CORD, FOR GER		
3	UG3626001	1	TELEPHONE LINE CORD, FOR UK		
3	UG3627001	1	TELEPHONE LINE CORD, FOR FRA		
3	UG1575001	1	TELEPHONE LINE CORD, FOR BEL		
3	LG3077001	1	TELEPHONE LINE CORD, FOR NLD/IRE/SPA/POR/RUS/EEU/GNR		
3	UG3469000	1	TELEPHONE LINE CORD, FOR CHE		
3	LG5827001	1	TELEPHONE LINE CORD, FOR DEN/PND		
3	UG4205001	1	TELEPHONE LINE CORD, FOR AUS		
3	UG3634001	1	TELEPHONE LINE CORD, FOR ITA		
4	LG3768004	1	HANDSET CURLED CORD ASSY, FAX-T104/T104S/T104B/T106/T106S/T106B		
5	LF3806001	1	PAPER TRAY ASSY		
6	LF3793001	1	STARTER PRINT CARTRIDGE ASSY, EXCEPT FOR RUS		
7	LF3814001	1	PAPER WIRE EXTENSION		
8	UF8263001	1	TEST CHART-027		
9	LF8269001	1	DOCUMENT WIRE T8		CHG

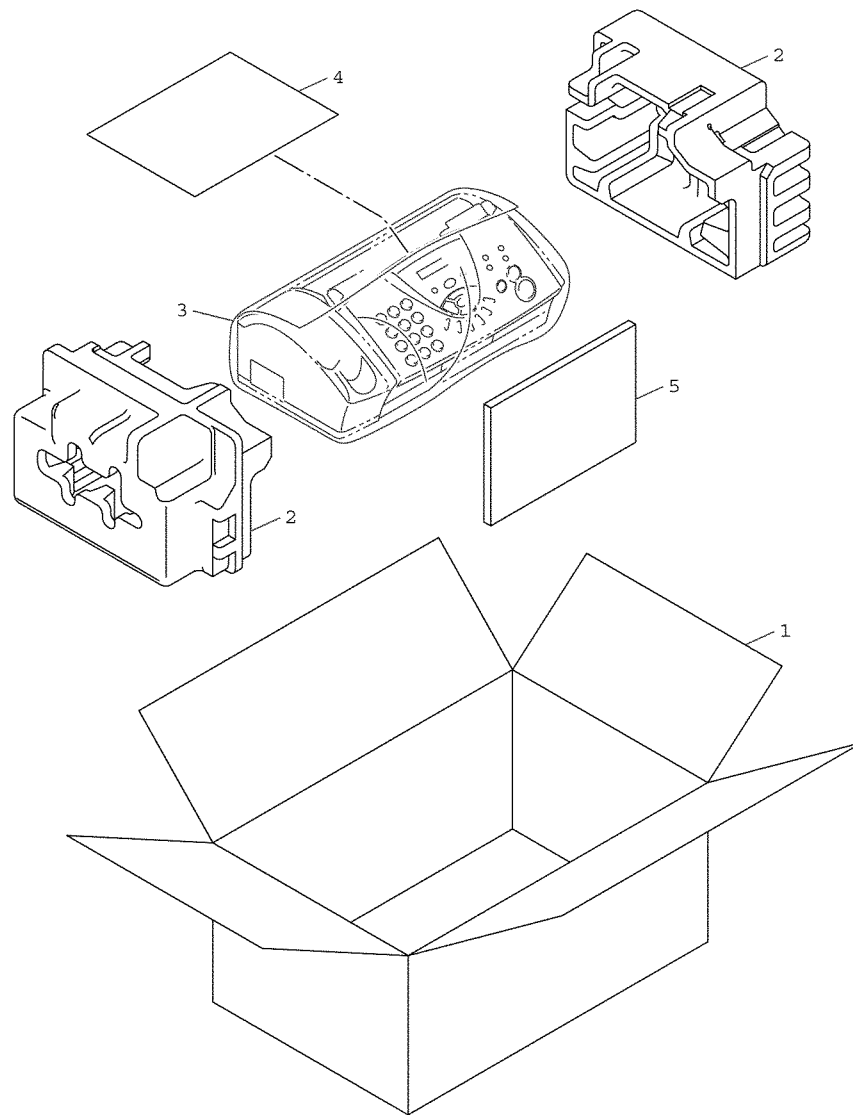
8. PRINTED MATERIAL



LIST8(PRINTED MATERIAL)

REF No.	CODE	QTY	DESCRIPTION	RECOMMEND	REMARKS
1	LF3895003	1	USER'S GUIDE, FAX-T102 FOR GER/AUS		
1	LF3752003	1	USER'S GUIDE, FAX-T104 FOR GER/AUS, FAX-T104S/T104B		
1	LF3868003	1	USER'S GUIDE, FAX-T106 FOR GER/AUS, FAX-T106S/T106B		
1	LF3812004	1	USER'S GUIDE FOR UK/IRE/GNR		
1	LF3812005	1	USER'S GUIDE FOR FRA		
1	LF3812008	1	USER'S GUIDE FOR BEL <DUTCH>		
1	LF3911008	1	USER'S GUIDE FOR BEL/CHE <FRENCH>		
1	LF3812009	1	USER'S GUIDE FOR NLD		
1	LF3812010	1	USER'S GUIDE FOR CHE <GERMAN>		
1	LF3812013	1	USER'S GUIDE FOR DEN/PND <DANISH>		
1	LF3812015	1	USER'S GUIDE FOR SPA		
1	LF3812016	1	USER'S GUIDE FOR ITA		
1	LF3812018	1	USER'S GUIDE FOR POR		
1	LF8429048	1	USER'S GUIDE FOR RUS		ADD
1	LF3812037	1	USER'S GUIDE FOR EEU <POLISH, CZECH, HUNGARIAN>		
1	LF3911037	1	USER'S GUIDE FOR EEU <ENGLISH, BULGARIAN, ROMANIAN>		
1	LF3812007	1	USER'S GUIDE FOR PND <NORWEGIAN>		
1	LF3812012	1	USER'S GUIDE FOR PND <FINNISH>		
1	LF3812026	1	USER'S GUIDE FOR PND <SWEDISH>		

9. PACKING



LIST9(PACKING)

REF No.	CODE	QTY	DESCRIPTION	RECOMMEND	REMARKS
1	LF3896001	1	CARTON, BROTHER, FAX-T102	√	
1	LF3815001	1	CARTON, BROTHER, FAX-T104	√	
1	LF3827001	1	CARTON, BROTHER, FAX-T104S/T104B/T106S/T106B	√	
1	LF3750001	1	CARTON, BROTHER, FAX-T106	√	
2	LF3817001	1	POLYSTYRENE FOAM ASSY		
3	LF8261001	1	BAG		
4	LF8242001	1	PROTECTION SHEET		
5	LF3898001	1	QUICK SETUP GUIDE, FAX-T102 FOR GER/AUS		
5	LF3851001	1	QUICK SETUP GUIDE, FAX-T104 FOR GER/AUS, FAX-T104S/T104B		
5	LF3870001	1	QUICK SETUP GUIDE, FAX-T106 FOR GER/AUS, FAX-T106S/T106B		
5	LF3822001	1	QUICK SETUP GUIDE FOR UK/IRE/GNR		
5	LF3859001	1	QUICK SETUP GUIDE FOR FRA		
5	LF3948001	1	QUICK SETUP GUIDE FOR BEL <DUTCH>		
5	LF3914001	1	QUICK SETUP GUIDE FOR BEL/CHE <FRENCH>		
5	LF3956001	1	QUICK SETUP GUIDE FOR NLD		
5	LF3913001	1	QUICK SETUP GUIDE FOR CHE <GERMAN>		
5	LF8039001	1	QUICK SETUP GUIDE FOR DEN/PND <DANISH, FINNISH>		
5	LF3967001	1	QUICK SETUP GUIDE FOR SPA		
5	LF3974001	1	QUICK SETUP GUIDE FOR ITA		
5	LF3981001	1	QUICK SETUP GUIDE FOR POR		
5	LF8426001	1	QUICK SETUP GUIDE FOR RUS		ADD
5	LF8045001	1	QUICK SETUP GUIDE FOR EEU <CZECH, HUNGARIAN>		
5	LF8046001	1	QUICK SETUP GUIDE FOR EEU <POLISH, ENGLISH>		
5	LF8047001	1	QUICK SETUP GUIDE FOR EEU <BULGARIAN, ROMANIAN>		
5	LF8051001	1	QUICK SETUP GUIDE FOR PND <NORWEGIAN, SWEDISH>		

brother®

PL-FAX098
8X4600
Ver. G-1